

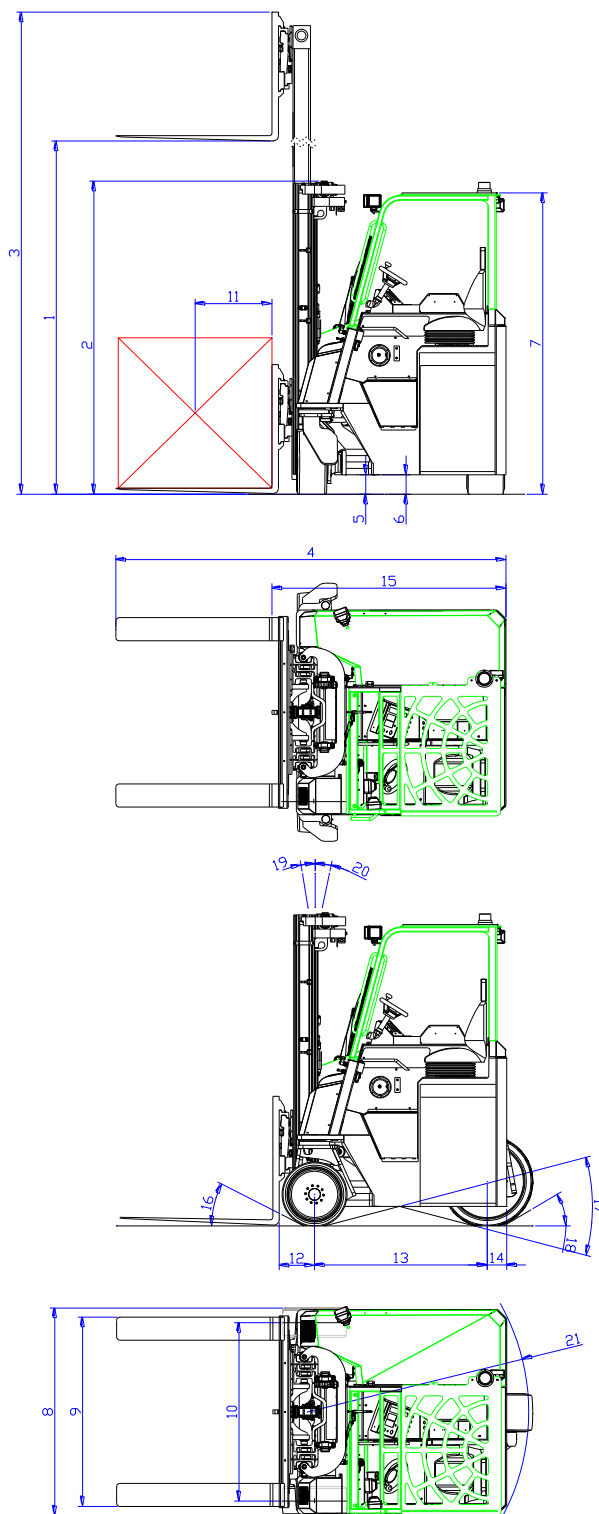
COMBILIFT – MODEL CBE4000 ELECTRIC - SPECIFICATION -

Ref.	MACHINE SPECIFICATIONS	STANDARD
1 a	Max. Lift Height	4040mm
1 b	Free Lift Height	0mm
2	Height Mast Closed	2900mm
3	Max. (Mast raised)	5050mm
4	Overall Length	3048mm
5	Ground Clearance Under Mast	152mm
6	Ground Clearance to Wheelbase Centre	125mm
7	Height of Overhead Guard	2356mm
8	Width	1650mm
9	Outside Spread of Fork Arms	1500mm
10	Track Front	1395mm
11	Load Centre Distance	600mm
12	Overhang Front	325mm
13	Wheel Base	1350mm
14	Overhang Back	153mm
15	Length From Face of Fork	1828mm
16	Approach Angle	30°
17	Ramp Angle	20°
18	Departure Angle	30°
19	Forward Tilt	3°
20	Backward Tilt	7°
21	Minimum Outside Radius	1670mm
A	Capacity	4000 kg
B	Unladen Weight	8750 kg
C	Maximum Ground Speed	10 Km/h
D	Gradability	10%
E	Battery Capacity	72V / 775Ah
F	AC Electric Traction Motor x 3	2 x 3kW (front) / 1 x 5kW (rear)
G	AC Electric Pump Motor	72V / 14kW
H	Fork Section	150 x 50 x 1220mm
I	20 x 9 x 16 Front Tyre x 2 (Solid Rubber)	OD 533 / Width 229
J	28 x 10 x 22 Rear Tyre x 1 (Solid Rubber)	OD 711 / Width 254
K	Standard Colour	Green and Grey
L	Suspension Seat	Grammer MSG65

Features include

Open Cabin
 Load Sensing Steering
 4-way lever Positioning of Wheels
 System Communication via CAN-BUS

Multi-Direction Operation
 3 Wheel Electric Drive
 Powered by AC Technology



Protected by Design Registration Copyright

US No.: D579,624
Canadian No.: 123292
Australian No.: 318370
Korean No.: 30-0516087
Russian Federation No.: 70814
Japanese No.: 1330896
Taiwan No.: D126056
Chinese No.: ZL200730329732.6
European Community No.: 000725668-0001



COMBILIFT LTD.
Co. Monaghan. Ireland
Tel. +353 47 80500