



MAST CHART

FD70N

FD80N

FD100N



Contents

1	Introduction	3
2	FD70NH	4
3	FD80NH	5
4	FD100NH	6
5	RAM	7
6	SIDE SHIFTER	8
7	FORK POSITIONER	9
8	HINGED FORKS	10
9	ROTATING FORKS	11
10	BALE CLAMPS	12

1 Introduction

This document includes the mast charts for the FD70-100NH truck range.

To interpret the mast charts, see the legend below:

- h1 – Overall lowered mast height
- h2 – Standard free lift
- h3 – Standard lifting height
- h4 – Overall raised height including load backrest
- h5 – Full free lift including load backrest
- * – On request

Wide view mast 2SP

Mast model	Capacity kg	Max fork height mm	Free lift height mm	Overall mast height		Tilt angle FWD-BWD deg	Service weight	
				Lowered mm	Raised with backrest mm		Truck+mast kg	Mast only kg
2SP300	7000	3000	215	2500	4420	6-12	9360	1715
2SP330	7000	3300	215	2650	4720	6-12	9410	1765
2SP350	7000	3500	215	2750	4920	6-12	9440	1795
2SP400	7000	4000	215	3050	5420	6-12	9630	1985
2SP450	7000	4500	215	3300	5920	6-12	9720	2075
2SP500	7000	5000	215	3550	6420	6-6	9830	2185
2SP550	6600	5500	215	3850	6920	3-6	10030	2385
2SP600	6400	6000	215	4100	7420	3-6	10110	2465

Wide view full free 2-stage mast 2FP

2FP300	7000	3000	1265	2625	4420	6-12	9465	1840
2FP330	7000	3300	1415	2775	4720	6-12	9515	1890
2FP350	7000	3500	1515	2875	4920	6-12	9545	1920
2FP400	7000	4000	1815	3175	5420	6-12	9745	2120
2FP450	7000	4500	2065	3425	5920	6-12	9825	2200

Wide view full free 3-stage mast 3FP

3FP400	6200	4000	1140	2500	5400	6-10	9965	2340
3FP435	6200	4350	1265	2625	5750	6-10	10045	2420
3FP480	6200	4800	1415	2775	6200	6-10	10125	2500
3FP500	6200	5000	1515	2875	6400	6-10	10180	2555
3FP600	5500	6000	1940	3300	7400	3-6	10540	2915
3FP700	3700	7000	2315	3675	8400	3-6	10725	3100
3FP800	2300	8000	2740	4100	9400	3-6	11050	3425

NOTES

- (1) For height without backrest: -325mm
- (2) For free lift without backrest +325mm
- (3) Weight without backrest -59kg

Wide view mast 2SP

Mast model	Capacity kg	Max fork height mm	Free lift height mm	Overall mast height		Tilt angle deg	Service weight	
				Lowered mm	Raised with backrest mm		FWD-BWD	Truck+mast kg
2SP300	8000	3000	205	2700	4420	6-12	10980	2175
2SP330	8000	3300	205	2850	4720	6-12	11040	2235
2SP350	8000	3500	205	2950	4920	6-12	11080	2275
2SP400	8000	4000	205	3250	5420	6-12	11310	2505
2SP450	8000	4500	205	3500	5920	6-12	11400	2595
2SP500	7750	5000	205	3750	6420	6-6	11500	2695
2SP550	7400	5500	205	4050	6920	3-6	11740	2935
2SP600	7000	6000	205	4300	7420	3-6	11850	3045

Wide view full free 2-stage mast 2FP

2FP300	8000	3000	1345	2700	4420	6-12	10920	2185
2FP330	8000	3300	1495	2850	4720	6-12	10970	2230
2FP350	8000	3500	1595	2950	4920	6-12	11000	2265
2FP400	8000	4000	1895	3250	5420	6-12	11240	2395
2FP450	8000	4500	2145	3500	5920	6-12	11330	2585

Wide view full free 3-stage mast 3FP

3FP400	7000	4000	1220	2575	5400	6-10	11580	2815
3FP435	7000	4350	1345	2700	5750	6-10	11650	2875
3FP480	7000	4800	1495	2850	6200	6-10	11720	2955
3FP500	7000	5000	1595	2950	6400	6-10	11790	3020
3FP600	6000	6000	2020	3375	7400	3-6	12150	3385
3FP700	4500	7000	2395	3750	8400	3-6	12360	3590
3FP800	2500	8000	2820	4175	9400	3-6	13110	4340

NOTES

- (1) For height without backrest: -205mm
- (2) For free lift without backrest +205mm
- (3) Weight without backrest -60kg

Wide view mast 2SP

Mast model	Capacity	Max fork height	Free lift height	Overall mast height		Tilt angle FWD-BWD deg	Service weight	
				Lowered mm	Raised with backrest mm		Truck+mast kg	mast only kg
2SP300	10000	3000	205	2850	4330	6-12	12300	2530
2SP330	10000	3300	205	3000	4630	6-12	12365	2590
2SP350	10000	3500	205	3100	4830	6-12	12410	2640
2SP400	10000	4000	205	3400	5330	6-12	12660	2890
2SP450	10000	4500	205	3650	5830	6-12	12770	3000
2SP500	10000	5000	205	3900	6330	6-6	12870	3100
2SP550	9000	5500	205	4200	6830	3-6	13120	3350
2SP600	8000	6000	205	4450	7330	3-6	13230	3460

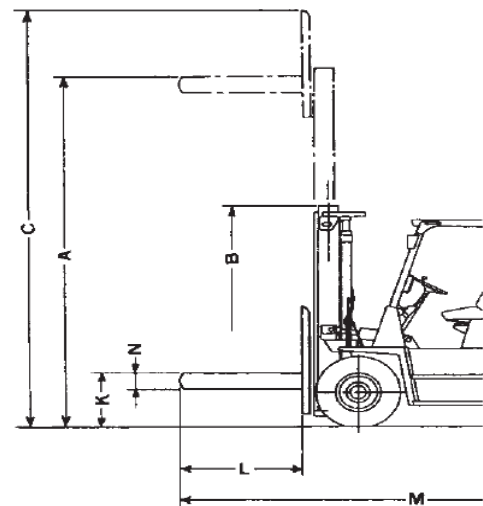
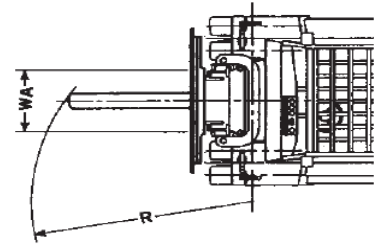
RAM

Attachment	RAM
Models	7 ton; 8 ton

	7 ton	8 ton
Load center mm	600	
Attachment width [WA]	750	
Ram underclearance [K]	415	
Ram size [LxN]	1220xø216	
Front turning radius [R]	2410	2500

Load chart (kg) - 7 ton					
Load center (mm)	600	800	1000	1200	1400
2SP300					
2SP330					
2SP350	7000	5990	5240	4660	4190
2SP400					
2SP450					
2SP500					
2SP550	6600	5650	4940	4390	3950
2SP600	6400	5480	4790	4260	3830

Load chart (kg) - 8 ton					
Load center (mm)	600	800	1000	1200	1400
2SP300					
2SP330					
2SP350	8000	6930	6110	5470	4950
2SP400					
2SP450					
2SP500	7750	6710	5920	5300	4790
2SP550	7400	6410	5650	5060	4580
2SP600	7000	6060	5350	4780	4330



Sideshifter

Attachment	Sideshifter
Models	All

	7 ton*	8 ton**	10 ton***
Load center mm	600		
Attachment width [WA]	2030	2030	2245
Fork spacing [O]	300-1700	360-1800	405-2145
Stroke	150		
Number of cylinders	1		
Number of valves	3		
Front turning radius [R]	2800	2950	3110

Load chart (kg) - 7 ton					
Load center (mm)	600	800	1000	1200	1400
2SP300	7000	6030	5300	4720	4260
2SP330					
2SP350					
2SP400	6800	5860	5150	4590	4140
2SP450	6500	5600	4920	4390	3960
2SP500	6250	5380	4730	4220	3810
2SP550	5700	4910	4310	3850	3470
2SP600	5200	4480	3930	3510	3170

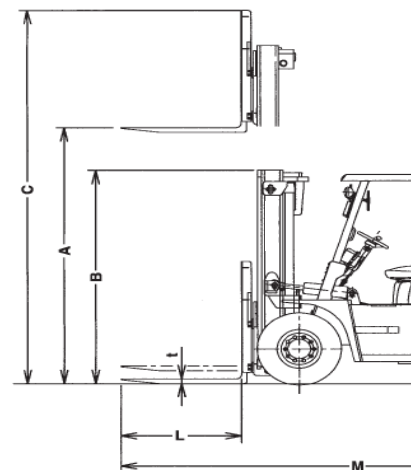
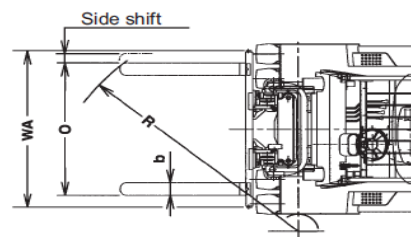
* Permissible loads for trucks with forks with the following lengths: 1370 to 1670 mm: deduct 50 kg, 1820 to 2120: deduct 150 kg, 2270 to 2420: deduct 300 kg.

Load chart (kg) - 8 ton					
Load center (mm)	600	800	1000	1200	1400
2SP300	8000	6960	6150	5520	5000
2SP330					
2SP350					
2SP400	7800	6780	6000	5380	4880
2SP450	7500	6520	5770	5170	4690
2SP500	7250	6300	5580	5000	4530
2SP550	6600	5740	5080	4550	4130
2SP600	6000	5220	4610	4140	3750

** Permissible loads for trucks with forks with the following lengths: 1370 to 1520 mm: deduct 50 kg, 1670 to 1970 mm: deduct 150 kg, 2120 to 2270 mm: deduct 250 kg and 2420mm: deduct 350 kg.

Load chart (kg) - 10 ton					
Load center (mm)	600	800	1000	1200	1400
2SP300	10000	8710	7720	6930	6290
2SP330					
2SP350					
2SP400	9000	7840	6950	6240	5660
2SP450					
2SP500					
2SP550	7000	6100	5400	4850	4400
2SP600	6000	5220	4630	4160	3770

*** Permissible loads for trucks with forks with the following lengths: 1370 and 1520 mm: deduct 100 kg, 1670 to 1970 mm: deduct 200 kg, 2120 to 2440 mm: deduct 300 kg.



Fork Positioner

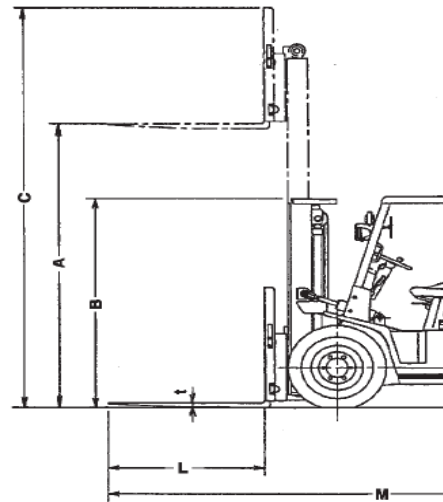
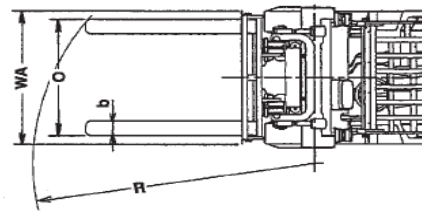
Attachment	Fork positioner
Models	All

	7 ton	8 ton	10 ton
Load center mm	600		
Attachment width [WA]	2015	2015	2245
Fork spacing [O]	360-1690	410-1790	455-2115
Number of cylinders	2		
Number of valves	4		
Front turning radius [R]	2810	2980	3070

Load chart (kg) - 7 ton					
Load center (mm)	600	750	900	1050	1200
2SP300	6700	5990	5360	4590	4020
2SP330					
2SP350					
2SP400					
2SP450					
2SP500	5900	5280	4780	4360	3810
2SP550	5600	5010	4540	4140	
2SP600	5300	4740	4290	3920	

Load chart (kg) - 8 ton					
Load center (mm)	600	750	900	1050	1200
2SP300	7700	6950	6330	5810	5280
2SP330					
2SP350					
2SP400					
2SP450					
2SP500	7300	6580	6000	5510	5090
2SP550	7000	6310	5750	5280	4880
2SP600	6600	5950	5420	4980	4610

Load chart (kg) - 10 ton										
Load center (mm)	600	800	1000	1200	1400					
2SP300	10000	8670	7660	6850	6200					
2SP330										
2SP350										
2SP400										
2SP450										
2SP500	9000	7800	6890	6170	5580					
2SP550						8000	6940	6120	5480	4960
2SP600										



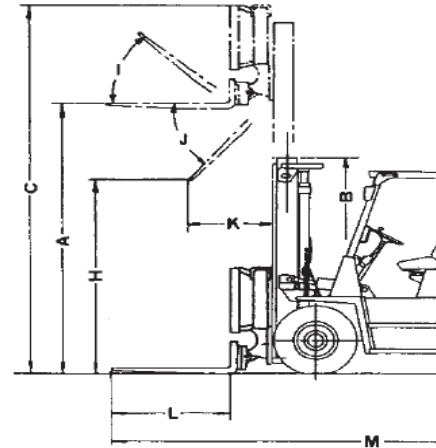
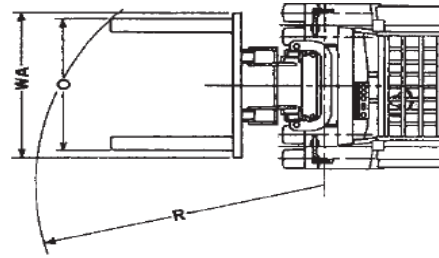
Hinged forks

Attachment	Hinged forks
Models	7 ton; 8 ton

	Fixed backrest		Hinged backrest	
	7 ton	8 ton	7 ton	8 ton
Load center mm	600			
Attachment width [WA]	1700	1820	1780	1890
Fork tilt angle [I-J]	40-50			
Fork spacing [O]	300-1600	360-1700		
Dumping reach [K]	860	1010		
Number of cylinders	2			
Number of valves	3			
Front turning radius [R]	2830	3120		

Load chart (kg) - 7 ton					
Load center (mm)	500	650	800	950	1100
2SP300					
2SP330	6000	5420	4950	4560	4220
2SP350					
2SP400	5800	5240	4790	4400	4080
2SP450	5600	5060	4620	4250	3940
2SP500	5200	4700	4290	3950	3650
2SP550	4800	4340	3960	3640	3470
2SP600	4300	3890	3550	3260	3020

Load chart (kg) - 8 ton					
Load center (mm)	600	800	1000	1200	1400
2SP300					
2SP330					
2SP350	6200	5530	4990	4550	4170
2SP400					
2SP450					
2SP500	6000	5350	4830	4400	4040
2SP550	5800	5170	4670	4250	3900
2SP600	5600	4990	4500	4100	3770

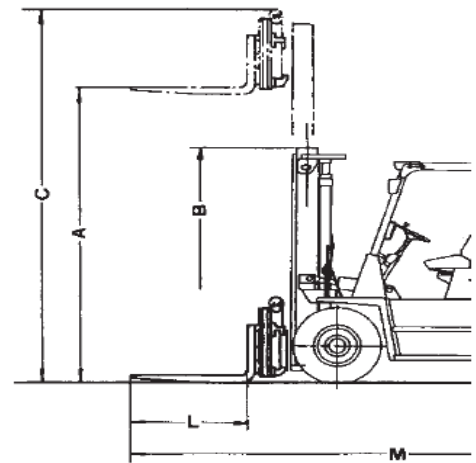
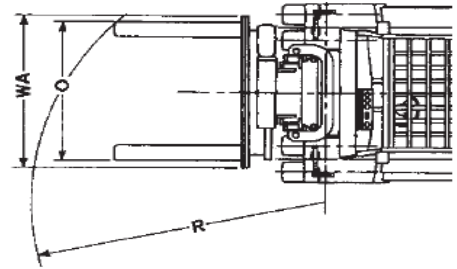


Rotating forks

Attachment	Rotating forks
Models	7 ton

	7 ton
Load center mm	600
Attachment width [WA]	1530
Fork spacing [O]	300-1500
Rotating speed (rpm)	8
Number of valves	3
Front turning radius [R]	2870

Load chart (kg) - 7 ton					
Load center (mm)	600	750	900	1050	1200
2SP300					3310
2SP330	5100	4630	4240	3770	
2SP350					
2SP400					
2SP450					4900
2SP500	4700	4260	3900	3600	3200
2SP550	4500	4080	3740	3450	
2SP600	4300	3900	3570	3290	



Bale clamp

Attachment	Bale clamp
Models	7 ton; 8 ton

	7 ton	8 ton
Load center mm	600	
Attachment width [WA]	1810	
Arm underclearance [K]	0	
Number of cylinders	2	
Number of valves	4	
Arm size [LxAH]	1500x800	
Front turning radius [R]	3260	3380

Available arm spacing series

Option	Armspacing [AW]
LGB451 " B-series"	500-2300
LGD451 " D-series"	600-2400

Note: When arms are fitted with rubber pads, deduct 10mm from [AW].

Available bale clamp arms

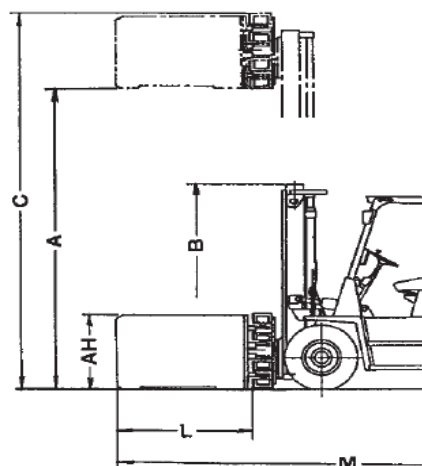
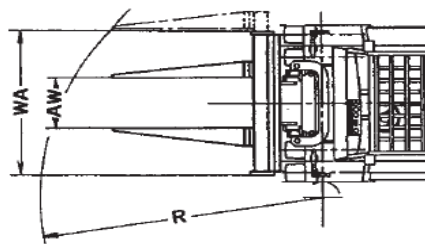
Option	Length x Width
ARL002	1500x800 with rubber pad
ARL007	1800x650 with rubber pad
ARL010	1500x800 without rubber pad
ARL015	1800x650 without rubber pad

Load chart (kg) - 7 ton - with 1500x800mm arms					
Load center (mm)	600	750	900	1050	1200
2SP300	4800	4340	3960	3650	3380
2SP330					
2SP350					
2SP400					
2SP450					
2SP500	4400	3980	3630	3340	3100
2SP550					
2SP600					
2SP600	4000	3620	3300	3040	2810

Load chart (kg) - 7 ton - with 1800x650mm arms					
Load center (mm)	600	750	900	1050	1200
2SP300	4650	4200	3840	3530	3270
2SP330					
2SP350					
2SP400					
2SP450					
2SP500	4250	3840	3510	3230	2990
2SP550					
2SP600					
2SP600	3850	3480	3180	2920	2710

Load chart (kg) - 8 ton - with 1500x800mm arms					
Load center (mm)	600	750	900	1050	1200
2SP300	5200	4730	4340	4010	3730
2SP330					
2SP350					
2SP400					
2SP450					
2SP500	4900	4460	4090	3780	3520
2SP550					
2SP600					
2SP600	4100	3730	3420	3160	2940

Load chart (kg) - 8 ton - with 1800x650mm arms					
Load center (mm)	600	750	900	1050	1200
2SP300	5050	4590	4220	3900	3620
2SP330					
2SP350					
2SP400					
2SP450					
2SP500	4750	4320	3970	3670	3410
2SP550					
2SP600					
2SP600	4350	3960	3630	3360	3120
2SP600	3950	3590	3300	3050	2830





CEOM1944AME (01/19) © 2019
MCFE
All rights reserved.

mitforklift@mcf.nl

www.mitforklift.com

Mitsubishi Forklift Trucks® is a registered trademark of Mitsubishi Heavy Industries®, Inc. All brand or product names are or may be trademarks of, and are used to identify products and services of, their respective owners.

This document may only be used certified Mitsubishi Forklift Trucks dealers, and should not be given to any client or customer or other third party.

NOTE: Performance specifications may vary depending on standard manufacturing tolerances, vehicle condition, types of tyres, floor or surface conditions, applications or operating environment. Trucks may be shown with non-standard options. Specific performance requirements and locally available configurations should be discussed with your distributor of Mitsubishi forklift trucks. Mitsubishi follows a policy of continual product improvement. For this reason, some materials, options and specifications could change without notice.

Unauthorized copying and lending are prohibited.