

# FD70-100NH Series

Diesel Counterbalance  
6 Wheel Pneumatic Tyres • 7.0 – 10 tonnes

FD70NH  
FD80NH  
FD100NH

## Class-leading performance... without compromises

**Developed to excel efficiently – even in the most challenging environments – this series of 7.0 to 10.0 tonne diesel counterbalance trucks gives you all the performance you need... and all the reliability you'd expect from a Mitsubishi.**

At its heart is an exceptionally powerful, 6.5L direct injection six-cylinder engine that delivers up to 84.6kW (113HP) of power – allowing for class-leading travel speeds of up to 30.0 km/h.

Easy to drive and even easier to maintain, these diesels provide operators with the precise and effortless performance that operators need to achieve the heights of productivity – even in hard-wearing applications.

### Frame and body

- **Robust design** is specially reinforced, minimising stress points during heavy lifting operations.
- **Low counterweight design** provides optimal visibility during reverse operations.
- **Class-leading forward visibility** (20% wider than competitors), thanks to super-wide view finger bar, offers exceptional safety.

### Hydraulics

- **Quick and easy access** for routine fluid level checks.

### Mast and fork assembly

- **Robust seven-roller mast construction** easily accommodates the stresses posed by wide loads, while offering exceptional visibility – keeping loads and colleagues safe.
- **Heavy-duty clear-view mast** offers market-leading vision of fork tip and load, for faster cycle times and reduced damage.



# FD70-100NH Series

## 6 Wheel Pneumatic Tyres • 7.0 – 10.0 tonnes

Characteristics					
1.1	Manufacturer (abbreviation)		Mitsubishi	Mitsubishi	Mitsubishi
1.2	Manufacturer's model designation		FD70NH	FD80NH	FD100NH
1.3	Power source: (battery, diesel, LPG, petrol)		Diesel	Diesel	Diesel
1.4	Operator type: pedestrian, (operator)-standing, -seated		Seated	Seated	Seated
1.5	Load capacity	Q kg	7000	8000	10000
1.6	Load centre distance	c (mm)	600	600	600
1.8	Load distance, axle to fork face	x (mm)	625	720	710
1.9	Wheelbase	y (mm)	2250	2500	2800
Weight					
2.1	Truck weight, without load / including battery (simplex mast, lowest lift height)	kg	9360	10960	12300
2.2	Axle loading with maximum load, front/rear (simplex mast, lowest lift height)	kg	14530 / 1830	17040 / 1940	20100 / 2200
2.3	Axle loading without load, front/rear (simplex mast, lowest lift height)	kg	3750 / 5610	4820 / 6160	5420 / 6880
Wheels, Drive Train					
3.1	Tyres: V=solid, L=pneumatic, SE=solid pneumatic - front/rear		L / L	L / L	L / L
3.2	Tyre dimensions, front		8.25X15-14PR	9.00X20-14PR	9.00X20-14PR
3.3	Tyre dimensions, rear		8.25X15-14PR	9.00X20-14PR	9.00X20-14PR
3.5	Number of wheels, front/rear (x=driven)		4x / 2	4x / 2	4x / 2
3.6	Track width (centre of tyres), front	b10 (mm)	1470	1600	1600
3.7	Track width (centre of tyres), rear	b11 (mm)	1700	1700	1700
Dimensions					
4.1	Mast tilt, forwards/backwards	$\alpha/\beta$ °	6/12	6/12	6/12
4.2	Height with mast lowered (see tables)	h1 (mm)	2500	2700	2850
4.3	Free lift (see tables)	h2 (mm)	215	205	205
4.4	Lift height (see tables)	h3 (mm)	3000	3000	3000
4.5	Overall height with mast raised	h4 (mm)	4420	4420	4330
4.7	Height to top of overhead guard	h6 (mm)	2450	2560	2560
4.8	Seat height	h7 (mm)	1310	1415	1415
4.12	Tow coupling height	h10 (mm)	430	515	515
4.19	Overall length	l1 (mm)	4820	5160	5475
4.20	Length to fork face (includes fork thickness)	l2 (mm)	3600	3940	4255
4.21	Overall width	b1/b2 (mm)	1995 / -	2165 / -	2245 / -
4.22	Fork dimensions (thickness, width, length)	s / e / l (mm)	70 x 150 x 1220	75 x 170 x 1220	75 x 175 x 1220
4.23	Fork carriage to DIN 15 173 A/B/no		No	No	No
4.24	Fork carriage width	b3 (mm)	1710	1810	2210
4.31	Ground clearance under mast, with load	m1 (mm)	190	245	245
4.32	Ground clearance at centre of wheelbase, with load (forks lowered)	m2 (mm)	225	320	320
4.33	Working aisle width with 1000 x1200 mm pallets, crosswise	Ast (mm)	5620	6015	6250
4.34a	Working aisle width with 800 x1200 mm pallets, lengthwise	Ast (mm)	3020	3290	3540
4.35	Turning circle radius	Wa (mm)	3360	3650	3900
4.36	Minimum distance between centres of rotation	b13 (mm)	1200	1280	1320
Performance					
5.1	Travel speed, with/without load	km/h	26.0 / 30.0	25.0 / 30.0	24.0 / 30.0
5.2	Lifting speed, with/without load	m/s	0.46 / 0.55	0.45 / 0.47	0.39 / 0.41
5.3	Lowering speed, with/without load	m/s	0.45 / 0.50	0.45 / 0.45	0.47 / 0.34
5.5	Rated drawbar pull, with/without load	N	52900 / 21600	57300 / 27400	57300 / 31400
5.7	Gradeability, with/without load	%	29 / 19	27 / 19	22 / 20
5.9	Acceleration time (10 metres) with/without load	s	-/-	-/-	-/-
5.10	Service brakes (mechanical/hydraulic/electric/pneumatic)		Hydraulic/Mechanical	Hydraulic/Mechanical	Hydraulic/Mechanical
IC Engine					
7.1	Manufacturer / Type		Isuzu 6BG1	Isuzu 6BG1	Isuzu 6BG1
7.2	Rated output to ISO 1585 (S.A.E. gross)	kW	82.4	84.6	84.6
7.3	Rated speed to DIN 70 020	rpm	2000	2100	2100
7.4	Number of cylinders / cubic capacity	cm3	6 / 6494	6 / 6494	6 / 6494
7.5	Fuel consumption according to VDI 60 cycle	l/h / kg/h	7.2 / -	7.6 / -	8.4 / -
7.6	Max torque (S.A.E. gross)	Nm	417	417	417
7.7	Max torque at engine speed	rpm	1500	1500	1500
Miscellaneous					
8.1	Type of drive control		Powershift 2/2	Powershift 2/2	Powershift 2/2
8.2	Maximum operating pressure for attachments	bar	200	200	200
8.3	Oil flow for attachments	l/min	-/-	-/-	-/-
8.4	Noise level, value at operator's ear (EN 12053)	dB(A)	85	85	85
8.5	Towing coupling design / DIN type, ref.		Pin	Pin	Pin

Continuing improvement may lead to changes in these specifications.

## FD70NH Model

### Mast Performance and Capacity

FD70NH						
Mast Type	h3	h1	h4	h2/h5	Tilt angle Fwd/Bwd	Q @ c = 600mm
	mm	mm	mm	mm	kg	kg
Simplex	3000	2500	4420	215	6-12	7000
	3300	2650	4720	215	6-12	7000
	3500	2750	4920	215	6-12	7000
	4000	3050	5420	215	6-12	7000
	4500	3300	5920	215	6-12	7000
	5000	3550	6420	215	6-6	7000
	5500	3850	6920	215	3-6	6600
	6000	4100	7420	215	3-6	6400
Duplex	3000	2625	4420	1265	6-12	7000
	3300	2775	4720	1415	6-12	7000
	3500	2875	4920	1515	6-12	7000
	4000	3175	5420	1815	6-12	7000
	4500	3425	5920	2065	6-12	7000
Triplex	4000	2500	5400	1140	6-10	6200
	4350	2625	5750	1265	6-10	6200
	4800	2775	6200	1415	6-10	6200
	5000	2875	6400	1515	6-10	6200
	6000	3300	7400	1940	3-6	5500
	7000	3675	8400	2315	3-6	3700
	8000	4100	9400	2740	3-6	2300

- (1) For height without backrest: -325mm  
 (2) For free lift without backrest +325mm  
 (3) Weight without backrest -59kg

## FD80NH Model

### Mast Performance and Capacity

FD80NH						
Mast Type	h3	h1	h4	h2/h5	Tilt angle Fwd/Bwd	Q @ c = 600mm
	mm	mm	mm	mm	kg	kg
Simplex	3000	2700	4420	205	6-12	8000
	3300	2850	4720	205	6-12	8000
	3500	2950	4920	205	6-12	8000
	4000	3250	5420	205	6-12	8000
	4500	3500	5920	205	6-12	8000
	5000	3750	6420	205	6-6	7750
	5500	4050	6920	205	3-6	7400
	6000	4300	7420	205	3-6	7000
Duplex	3000	2700	4420	1345	6-12	8000
	3300	2850	4720	1495	6-12	8000
	3500	2950	4920	1595	6-12	8000
	4000	3250	5420	1895	6-12	8000
	4500	3500	5920	2145	6-12	8000
Triplex	4000	2575	5400	1220	6-10	7000
	4350	2700	5750	1345	6-10	7000
	4800	2850	6200	1495	6-10	7000
	5000	2950	6400	1595	6-10	7000
	6000	3375	7400	2020	3-6	6000
	7000	3750	8400	2395	3-6	4500
	8000	4175	9400	2820	3-6	2500

- (1) For height without backrest: -325mm  
 (2) For free lift without backrest +325mm  
 (3) Weight without backrest -59kg

## FD100NH Model

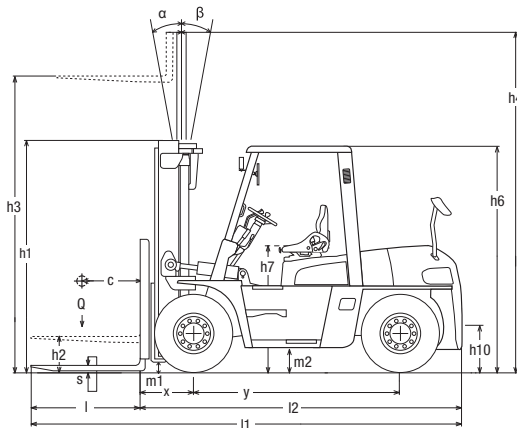
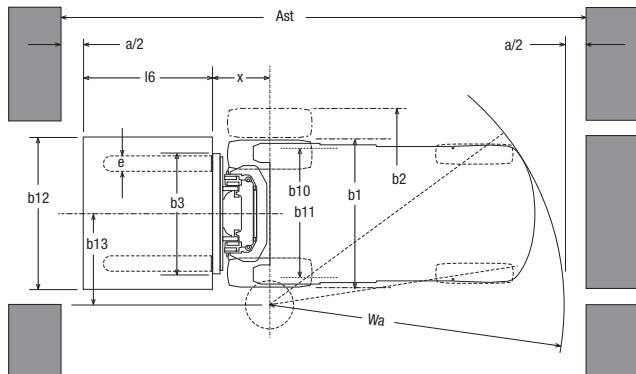
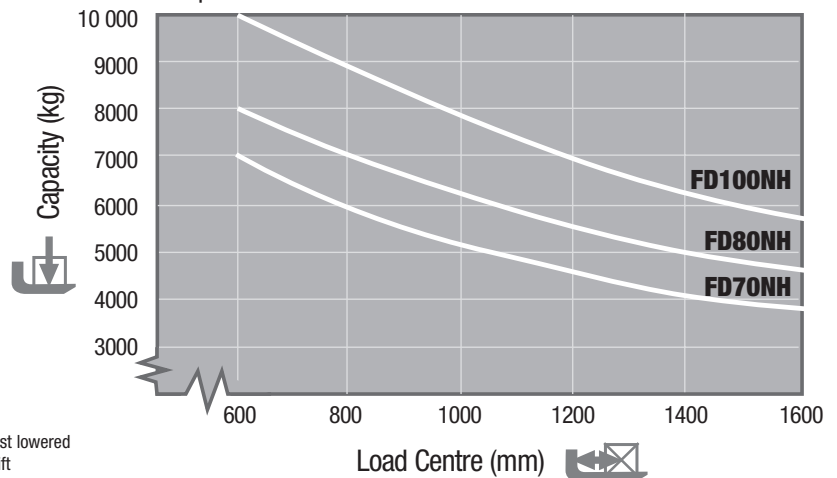
### Mast Performance and Capacity

FD100NH						
Mast Type	h3	h1	h4	h2/h5	Tilt angle Fwd/Bwd	Q @ c = 600mm
	mm	mm	mm	mm	kg	kg
Simplex	3000	2850	4330	205	6-12	10000
	3300	3000	4630	205	6-12	10000
	3500	3100	4830	205	6-12	10000
	4000	3400	5330	205	6-12	10000
	4500	3650	5830	205	6-12	10000
	5000	3900	6330	205	6-6	10000
	5500	4200	6830	205	3-6	9000
	6000	4450	7330	205	3-6	8000

## FD70-100NH Models

### Capacities at Various Load Centres

Simplex - h3 = 4000 mm



- Ast = Working aisle width  
 Wa = Turning radius  
 a = Safety clearance = 2 x 100 mm  
 l6 = Pallet length  
 b12 = Pallet width  
 h1 = Height with mast lowered  
 h2 = Standard free lift  
 h3 = Lift height  
 h4 = Height with mast raised  
 h5 = Full free lift  
 Q = Lifting capacity, rated load  
 c = Load centre (distance)



Clear-view



Highly efficient six-cylinder engine



Robust design for heavy-duty operations

## Drive

- **Class-leading six-cylinder engine** offers exceptionally high power and low fuel consumption – even in hard-wearing applications.

## Electrical and control systems

- **Effortless automatic transmission control** offers easy, yet, reliable travel control, thanks to low-effort electronic control lever.
- **Electric shift lever** makes it easy to change the direction of travel and ensures smooth load handling.
- **Integrated Presence System (IPS)** provides parking brake alarm, seat belt, warning light and hydraulic and interlock system for added safety.

## Operator compartment and controls

- **Spacious and comfortable operator compartment**, with clear views and fast, accurate fork positioning increases productivity and reduces risks of driver fatigue – even on the longest shifts.
- **Generous glove box with pen holder** for, tools, pens etc.
- **Other features**
- **RapidAccess features** include a fast-release floor – no tools required – for quicker daily inspections.
- **Low-noise design** just 85 db(A) is among the lowest in its class for maximum operator comfort.
- **Memory fuel gauge** allows operators or maintenance personnel to check fuel levels easily – even when the truck is not in service.

## Options

- **Speedometer**
- **AM meter**
- **Catalytic exhaust muffler**
- **Spark arresting and smoke reducing muffler**
- **Mast tilt gauge**
- **Oil pressure gauge**
- **Oil temperature gauge**
- **Elevated air intake**
- **Elevated exhaust**
- **Wide choice of masts**
- **Wide choice of forks**
- **Dual-element cyclone air filter**
- **Choice of lights**
- **Panel cabin options**
- **Cabin with air conditioning**
- **Wide range of attachments**

when **reliability** is everything...

Like any product bearing the Mitsubishi name, our materials handling equipment benefits from the huge resources and cutting-edge technology of one of the world's largest corporations. So when we promise you **quality, reliability** and **value for money**, you know it's a guarantee we have the power to deliver.

Every model in our comprehensive, award-winning range of forklift trucks and warehouse equipment is built to a high specification and is designed to keep on working for you... day after day... year after year... whatever the job... whatever the conditions.

To ensure your truck stays in constant productive action, we have a network of local dealers – hand-picked for their commitment to customer care... and backed up by the Mitsubishi Forklift Trucks organisation. No matter where you are, we have a dealer close by – ready and willing to meet your needs.

That friendly local service covers everything from identifying the perfect model and configuration for your application to providing competitive, flexible finance and maintenance packages, unbeatable warranties, long and short term hire, and highly responsive field service and repairs... as well as the industry's quickest and most reliable parts supply.

Only Mitsubishi can give you this combination of global engineering excellence and outstanding local support... only Mitsubishi offers you such a quality product at such an affordable price... and only Mitsubishi places reliability as high as you do in its priorities. Contact your local dealer now and see what Mitsubishi can do for you.

You can find your nearest dealer at [www.mitforklift.com](http://www.mitforklift.com)



CESM 1853AME (09/17)  
© 2017 MCFE  
Printed in The Netherlands

[mitforklift@mcf.nl](mailto:mitforklift@mcf.nl) [www.mitforklift.com](http://www.mitforklift.com)

NOTE: Performance specifications may vary depending on standard manufacturing tolerances, vehicle condition, types of tyres, floor or surface conditions, applications or operating environment. Trucks may be shown with non-standard options. Specific performance requirements and locally available configurations should be discussed with your distributor of Mitsubishi forklift trucks. Mitsubishi follows a policy of continual product improvement. For this reason, some materials, options and specifications could change without notice.